

GARDEN LED SPIKE

E152

Please read instructions before commencing installation and retain for future reference.

SPECIFICATIONS

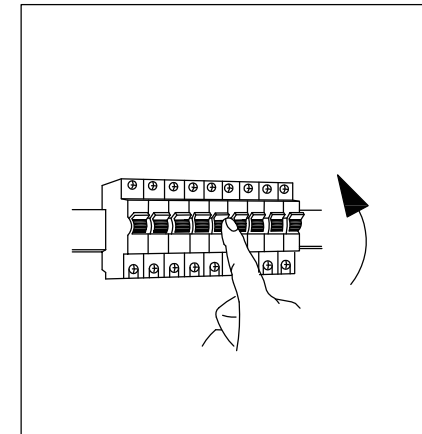
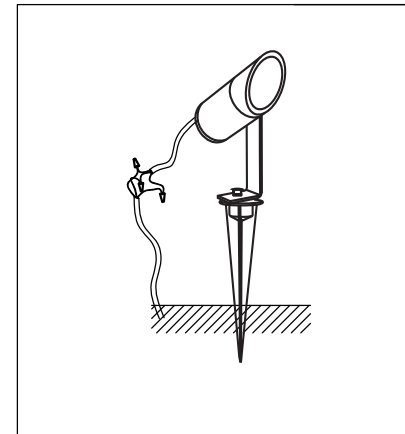
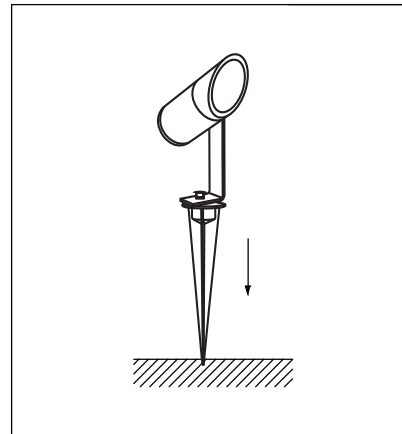
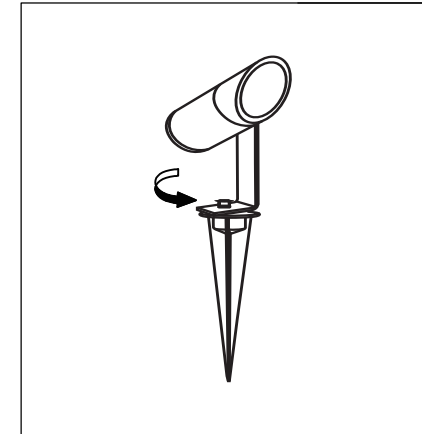
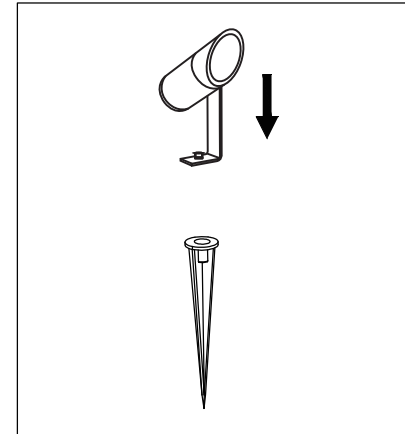
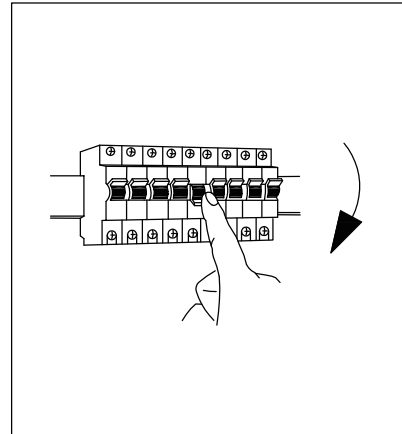
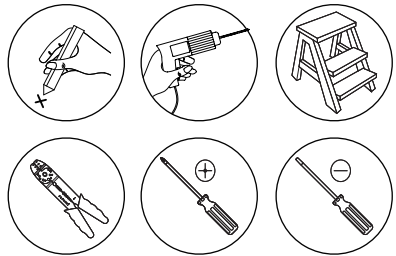
- **Material:** Aluminum - Tempered Glass
- **Lamp type:** LED , 7W , 3000K , 630Lm , CRI 80
- **Ingress Protection:** IP65. Protection against entry of solid objects greater than 12mm in diameter.

INSTALLATION INSTRUCTIONS

⚠ Electrical products can cause death, injury, or damage to property. Maintenance and installation should only be carried out by a professional electrician.

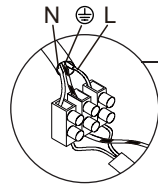
⚠ The light source contained in this luminaire shall only be replaced by the manufacturer or his service agent or a similar qualified person.

- Ensure main supply is switched off.



WARNING

- Make sure that the products is installed properly before connecting to electricity.
- Do not cover the fitting.



Connecting the Terminal Block

Connect main supply (**brown - Live, blue - Neutral**) into terminal block making sure all connections are tight.

